

deltaspray

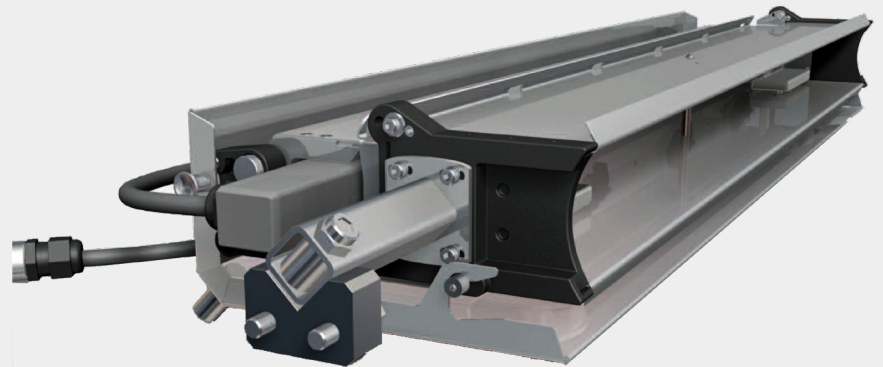
Spray dampening systems



deltaspray

Advantages at a glance:

- Dampening solution is transferred without contact at a high and controlled spraying frequency
- Individual activation of each spray nozzle for highest dosing accuracy
- Quick, easy and tool-free replacement of nozzles
- Symmetrical design; the spray dampening units are interchangeable
- Tool-free maintenance



- › delta.spray modular spray dampening for consistent print quality
- › foreign-energized nozzle cleaning protection against pollution

High performance in a small space

Spray dampening units are an important part of web offset printing presses and have a strong impact on the quality of the printing result.

The innovative and reliable technology of the modular delta.spray line helps printers achieve consistent printing quality and high process stability.

Individual activation of each spray nozzle and shutters allow great flexibility of the system configuration and give full control over the spray patterns and dampening – independent of paper widths.

The unique nozzle cleaning concept does not need an additional power supply and reliably prevents the nozzles from clogging. This maximizes machine availability and clearly cuts down maintenance and repairs.

Spray dampening units are constantly used and always need to be ready for operation. With the practical service door, checking and maintaining the spray bar is quick and easy.

The great serviceability of the system allows for the quick exchange of nozzles or the easy removal of the entire bar without the need for tools.

Together with a specially designed dampening solution circulator, a complete system is created to optimise the functionality of the dampening units.

spray dampening systems

The venturi-effect

The unrivalled endurance of the valves and the practically non-wearing nozzles ensure the longest possible service life. High reproducibility allows great process stability while maintaining the optimum ink/water balance.

To meet the rising demands of contemporary production delta.spray spray bars operate with a unique nozzle cleaning concept – the Venturi Cap.

Sophisticated structures within the cap generate the Venturi Effect. By using basic physics, negative pressure is created. The need for expensive compressed air is eliminated.

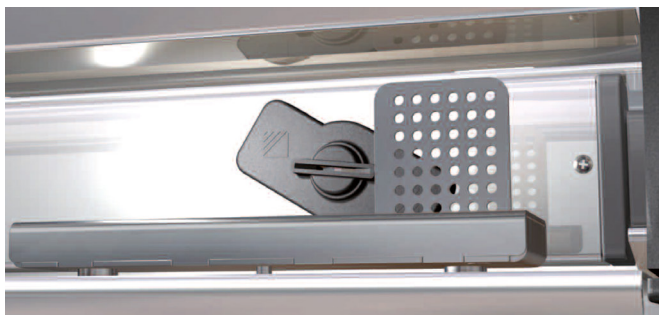
Clean air is taken in through a filter in the bar and circulated around the nozzle. This ensures it stays free from dirt and ink particles. As an effect the service life of each nozzle is greatly increased, and press availability as well as productivity are actively improved.



› Venturi cap - unique nozzle cleaning

Advantages of the venturi cap cleaning concept:

- no clogging of nozzles
- low operating costs – no external power supply, no compressed air
- easy installation
- notably reduced maintenance
- clearly improved machine availability and productivity



› manual shutter for high flexibility

Prominent features are:

- manual adjustable shutters
- complete integration into control console
- quick and precise variation of web widths

Fully integrated into the control console

To efficiently print variable formats, delta.spray spray dampening systems can optionally be equipped with manual shutters.

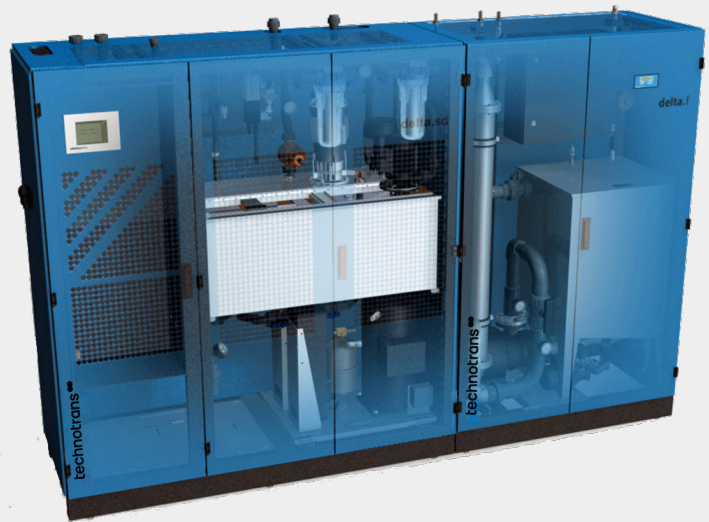
The delta.spray line system can be seamlessly integrated into the printing presses control console, making adjustments during production

quick and easy. This leads to an improved flexibility of the production process which is further supported by powerful software resulting in precise and reproducible control of the dampening solution application.

deltaspray

Functionality:

- Automatic and manual over-dampening
- Storage of individual dampening solution curves per printing unit
- Individual nozzle adjustment
- Defaults and start parameters can be configured as desired
- Password protection can be configured to protect sensitive functions
- Detailed presentation of operating parameters, status and fault messages



Little waste

Intuitive control also for retrofits

Preparation and filtration especially for spray dampening systems

Small details deserve special attention

delta.spray has a unique construction and the built-in features give further genuine advantages.

The internal circulation helps to assure the dampening solution is never stagnant, which in turn reduces the formation of micro-organisms.

Another advantage is the constant dampening solution temperature, which significantly reduces the number of waste copies on start-up.

Robust electrical connectors and stainless steel quick couplings guarantee troublefree handling even after years of use.

A modular and user-friendly electronic control system allows optimum connection of the delta.spray dampening units to the control console.

This all contributes to greater process stability and directly influences the profitability of each

print job. Reducing effort and the number of parameters that need monitoring saves time and money.

Systematic dampening solution supply

technotrans offers complete solution from a single source. As a system provider, we configure complete dampening solution supply systems for our customers, whether it's a large-scale project or an individual application.

The technotrans sd.line offers dampening solution circulators and filtration units designed specifically for operation in conjunction with spray dampening bars. Our employees will gladly provide more detailed advice and information – we are also available for on-site consultation.

Our experts look forward to advise you locally in your company.